

# < YUhf Y[ YbYfUHX' Adsorption Dryerg .....GD; @series

## Adsorption Dryer GDGL

### 1. Process Characteristics

- Desorption in counterflow to the adsorption direction
- Cooling with an expanded portion of compressed air
- Designed for automatic and continuous operation

### 2. Standard Conditions

- Pressure dewpoint: -40°C
  - Operation pressure: 7 bar(g)
  - Inlet temperature: +35°C
  - Inlet humidity: saturated
  - Average cooling air consumption: appr. 2% related to  $\dot{V}_{nom}$
- Selection at different operating conditions by correction factor C1 according to table 2.

### 3. Operating Limits

- Media: compressed air/nitrogen
  - Operating pressure: 4-10 bar(g)
  - Inlet temperature: 5-40°C
  - Ambient temperature: 5-40°C
  - max. blower inlet: 35°C/45% to 30°C/60% r.H.
  - Installation: indoor
- Design for operating conditions beyond specified application limits on request.

### 4. Standard Design

#### Control

- Design: acc. to VDE/IEC
- Power supply: 3 Ph / 400 V - 50 Hz
- Control voltage: 24 V DC / 230 V - 50 Hz
- PLC: Siemens S7-200 with CPU 224
- Text display: Siemens TD 200
- Protection: IP 55, acc. to IEC 529
- Control panel: C-steel sheet, powder coated, RAL7035
- Potential free common alarm contact: incl.
- Main switch: incl.

#### Adsorption Vessel

- Material: carbon steel
- Design data: 11 bar(g), 230°C für 0375 - 2750  
10 bar(g), 200°C für 3500 - 13600
- Design, manufacturing and testing: acc. to AD-2000
- Approval: acc. to PED 27/23/EC
- Desiccant: incl.
- gas distributor: incl. (stainless steel)

#### Piping

- Nominal pressure: PN 16
- Material: carbon steel
- Design, manufacturing and testing: acc. to AD-2000
- Approval: acc. to PED 27/23/EC

#### Heat insulation

#### Electrical flange heater

#### Regeneration blower

heater to regeneration inlet valves  
with overheat protection  
with suction filter



# Adsorption Dryer GDGL

*continuation of standard design*

<b>Pneumatically operated butterfly valves</b>	internals made of stainless steel
<b>Non-return valves</b>	with PTFE- gaskets
<b>Pressure release valves</b>	with silencers
<b>Pressure equalization valves</b>	incl.
<b>Resistance thermometer</b>	Pt 100 - measuring and control devices
<b>Pressure transmitter</b>	for pressure and changeover control
<b>Manometer with shut-off valve</b>	per adsorption vessel
<b>Control air unit</b>	incl. valve manifold with multipole connection and control air filter
<b>Pneumatic box</b>	to house the control air unit (sizes 3500 and up)
<b>End position monitoring</b>	of inlet butterfly valves with limit switches (sizes 3500 and up)
<b>Control air piping</b>	up to size 2750 with PVC-pipe; with galvanized steel pipe (sizes 3500 and up)

## 5. Standard Options (upon request)

- Dewpoint dependent control ,ultraconomy‘
- Mounting of prefilter system incl. piping
- Mounting of afterfilter system incl. piping
- System bypass with 3 manual valves
- Bus interface
- Desorption air heating with steam heater instead of electrical heater
- Desorption air heating with steam and electrical heater
- Heat insulation of adsorption vessel
- 16 bar version
- Status information by light indicators
- Control air piping made of stainless steel
- Changeover monitoring and limit switches for additional butterfly valves
- Monitoring of dryer inlet temperature
- Free of silicone / separating agents
- Alternative power supply
- Pressure dew point below -40°C
- Frost protection down to -20°C
- Outdoor installation
- Special noise reduction

## 6. Filter

Please select the necessary prefilter and afterfilter systems from our comprehensive filter product range.

## 7. Condensate

For necessary and economical draining as well as conditioning of accumulated condensate, we recommend our condensate technology range of products.

# Adsorption Dryer GDGL

GDGL	$\dot{V}_{nom}$ at 7 bar(g)		connections PN16, DIN 2633	installed power	weight	dimensions		
	m <sup>3</sup> /h	cfm				A=width	B=depth	C=height
			DN	kW	kg	mm	mm	mm
0375	375	220	DN 50	7,6	710	1430	800	2120
0550	550	325	DN 50	11,2	920	1510	985	2340
0650	650	385	DN 50	11,2	1050	1530	985	2260
0850	850	500	DN 50	14,2	1140	1590	1060	2330
1000	1000	590	DN 80	14,2	1210	1660	1120	2460
1350	1350	800	DN 80	20,0	1480	1770	1190	2580
1650	1650	975	DN 80	24,0	1790	1800	1340	2630
1950	1950	1150	DN 100	32,5	2180	2040	1400	2720
2250	2250	1330	DN 100	32,5	2360	2110	1410	2740
2750	2750	1620	DN 100	38,0	2680	2260	1460	2790
3500	3500	2065	DN 100	44,5	3180	3380	1830	2860
4000	4000	2360	DN 150	52,5	3990	3490	1860	2980
5000	5000	2945	DN 150	71,0	4820	3750	1950	3110
6000	6000	3535	DN 150	86,0	5400	3880	2170	3210
7000	7000	4125	DN 150	95,0	6200	4240	2270	3280
8750	8750	5155	DN 200	115,0	8000	4570	2530	3420
10500	10500	6185	DN 200	135,0	11200	4780	2600	3310
11200	11200	6775	DN 200	153,0	12000	4970	2750	3350
13600	13600	8010	DN 200	177,5	14000	5280	2975	3380

$\dot{V}_{nom}$  in m<sup>3</sup>/h related to compressor inlet at 20°C and 1 bar(a), an operating pressure of 7 bar(g) and a compressed air inlet temperature of +35°C (saturated).

Conversion factor ( $C_1$ ) for sizing, depending on dryer inlet temperature and operating pressure at a pressure dew point of -40°C:

$T_{inlet}$ °C	operating pressure bar(g)						
	4	5	6	7	8	9	10
30	0,72	0,92	1,09	1,25	1,36	1,45	1,51
35	0,55	0,7	0,86	<b>1,00</b>	1,12	1,25	1,37
40	0,33	0,45	0,58	0,71	0,82	0,92	1,03

table 2

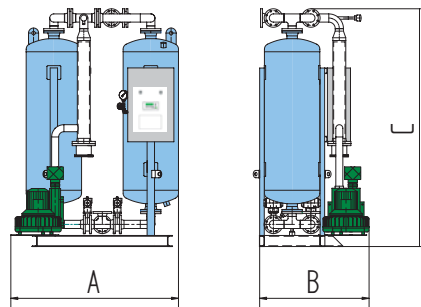
**Sizing Example:**

real air flow ( $\dot{V}_T$ ): 3990 m<sup>3</sup>/h  
 operating pressure: 6 bar(g)  
 inlet temperature: 40 °C  
 Faktor  $C_1$ : 0,58

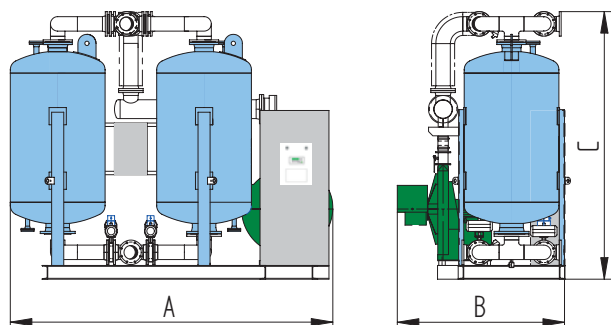
$$\dot{V}_{corr} = \frac{\dot{V}_T}{C_1} = \frac{3990 \text{ m}^3/\text{h}}{0,58} = 6879 \text{ m}^3/\text{h}$$

Selection: GDGL 7000

up to 2750



from 3500



For additional information please contact Gardner Denver or your local representative.

# Gardner Denver

gdcompressors.eu@gardnerdenver.com  
 www.gardnerdenverproducts.com

Specifications subject to change without notice.  
 Copyright 2011 Gardner Denver.

# < YUhf Y[ YbYfUHX Adsorption Dryerg .....GD; G series

## Adsorption Dryer GDGS

### 1. Process Characteristics

- Desorption in counter-current flow to the adsorption direction with externally heated blower air
- Cooling with ambient air
- Designed for automatic and continuous operation (up to 2750 at pressure-vacuum operation)

### 2. Standard Conditions

- |                       |           |   |
|-----------------------|-----------|---|
| • Pressure dewpoint:  | -40°C     | Selection at different operating conditions by correction factor C1 according to table 2. |
| • Operation pressure: | 7 bar(g)  |   |
| • Inlet temperature:  | +35°C     |   |
| • Inlet humidity:     | saturated |   |

### 3. Operating Limits

- |                        |                           |   |
|------------------------|---------------------------|---|
| • Media:               | compressed air/nitrogen   | Design for operating conditions beyond specified application limits on request. |
| • Operating pressure:  | 4-10 bar(g)               |   |
| • Inlet temperature    | 5-40°C                    |   |
| • Ambient temperature: | 5-40°C                    |   |
| • max. blower inlet:   | 35°C/45% to 30°C/60% r.H. |   |
| • Installation:        | indoor                    |   |

### 4. Standard Design

#### Control

- |  |                                       |
|--|---------------------------------------|
| • Design:                              | acc. to VDE/IEC                       |
| • Power supply:                        | 3 Ph / 400 V - 50 Hz                  |
| • Control voltage:                     | 24 V DC / 230 V - 50 Hz               |
| • PLC:                                 | Siemens S7-200 with CPU 224           |
| • Text display:                        | Siemens TD 200                        |
| • Protection:                          | IP 55, acc. to IEC 529                |
| • Control panel:                       | C-steel sheet, powder coated, RAL7035 |
| • Potential free common alarm contact: | incl.                                 |
| • Main switch:                         | incl.                                 |

#### Adsorption Vessel

- |                                      |   |
|--------------------------------------|---|
| • Material:                          | carbon steel  |
| • Design data:                       | 11 bar(g), 230°C für 0375 - 2750<br>10 bar(g), 200°C für 3500 - 13600 |
| • Design, manufacturing and testing: | acc. to AD-2000   |
| • Approval:                          | acc. to PED 27/23/EC  |
| • Desiccant:                         | incl.   |
| • gas distributor:                   | incl. (stainless steel)   |

#### Piping

- |                                      |                      |
|--------------------------------------|----------------------|
| • Nominal pressure:                  | PN 16                |
| • Material:                          | carbon steel         |
| • Design, manufacturing and testing: | acc. to AD-2000      |
| • Approval:                          | acc. to PED 27/23/EC |

#### Heat insulation

#### Electrical flange heater

#### Regeneration blower

heater to regeneration inlet valves  
with overheat protection  
with suction filter



# Adsorption Dryer GDGS

*continuation of standard design*

<b>Pneumatically activated butterfly valves</b>	internals made of stainless steel
<b>4-way plug-valve</b>	from 0375-2750; maintenance free
<b>Non-return valves</b>	with PTFE- gaskets
<b>Pressure release valves</b>	with silencers
<b>Pressure equalization valves</b>	incl.
<b>Resistance thermometer</b>	Pt 100 - measuring and control devices
<b>Pressure transmitter</b>	for pressure and changeover control
<b>Manometer with shut-off valve</b>	per adsorption vessel
<b>Control air unit</b>	incl. valve manifold with multipole connection and control air filter
<b>Pneumatic box</b>	to house the control air unit (size 3500 and up)
<b>End position monitoring</b>	of inlet butterfly valves with limit switches (size 3500 and up)
<b>Control air piping</b>	up to size 2750 with PVC-pipe; with galvanized steel pipe (size 3500 and up)

## 5. Standard Options (upon request)

- Dewpoint dependent control ,ultraconomy‘
- Mounting of prefilter system incl. piping
- Mounting of afterfilter system incl. piping
- System bypass with 3 manual valves
- Bus interface
- Desorption air heating with steam heater instead of electrical heater
- Desorption air heating with steam and electrical heater
- Heat insulation of adsorption vessel
- 16 bar version
- Status information by light indicators
- Control air piping made of stainless steel
- Changeover monitoring and limit switches for additional butterfly valves
- Monitoring of dryer inlet temperature
- Free of silicone / separating agents
- Alternative power supply
- Pressure dew point below  $-40^{\circ}\text{C}$
- Frost protection down to  $-20^{\circ}\text{C}$
- Outdoor installation
- Special noise reduction

## 6. Filter

Please select the necessary prefilter and afterfilter systems out of our comprehensive filter product range.

## 7. Condensate

For necessary and economical draining as well as conditioning of accumulated condensate we recommend our condensate technology range of products.

# Adsorption Dryer GDGS

GDGS	$\dot{V}_{nom}$ at 7 bar(g)		connections PN16, DIN 2633	installed power	weight	dimensions		
	m <sup>3</sup> /h	cfm				A=width	B=depth	C=height
			DN	kW	kg	mm	mm	mm
0375	375	220	DN 50	7,6	800	1340	810	2120
0550	550	325	DN 50	11,2	1010	1470	890	2340
0650	650	385	DN 50	11,2	1150	1510	930	2260
0850	850	500	DN 50	14,2	1260	1610	940	2330
1000	1000	590	DN 80	14,2	1390	1680	970	2460
1350	1350	800	DN 80	20,0	1670	1800	1090	2580
1650	1650	975	DN 80	24,0	1970	1900	1130	2630
1950	1950	1150	DN 100	32,5	2390	2020	1260	2720
2250	2250	1330	DN 100	32,5	2590	2120	1270	2740
2750	2750	1620	DN 100	38,0	3000	2320	1400	2790
3500	3500	2065	DN 100	44,5	3600	3380	1830	3060
4000	4000	2360	DN 150	52,5	4580	3490	1860	3180
5000	5000	2945	DN 150	71,0	5330	3750	1950	3310
6000	6000	3535	DN 150	86,0	6200	3880	2080	3400
7000	7000	4125	DN 150	95,0	7150	4240	2230	3470
8750	8750	5155	DN 200	115,0	8950	4570	2490	3570
10500	10500	6185	DN 200	135,0	12600	4780	2600	3060
11200	11200	6775	DN 200	153,0	13600	4970	2750	3100
13600	13600	8010	DN 200	177,5	15800	5280	2975	3230

$\dot{V}_{nom}$  in m<sup>3</sup>/h related to compressor inlet at 20°C and 1 bar(a), an operating pressure of 7 bar(g) and a compressed air inlet temperature of +35°C (saturated).

Conversion factor (C<sub>1</sub>) for sizing, depending on dryer inlet temperature and operating pressure at a pressure dew point of -40°C:

T <sub>inlet</sub> °C	operating pressure bar(g)							
	4	5	6	7	8	9	10	
30	0,72	0,92	1,09	1,25	1,36	1,45	1,51	
35	0,55	0,7	0,86	<b>1,00</b>	1,12	1,25	1,37	
40	0,33	0,45	0,58	0,71	0,82	0,92	1,03	

table 2

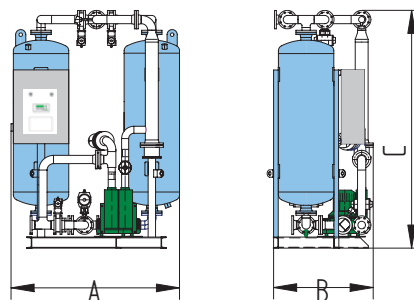
**Sizing Example:**

real air flow ( $\dot{V}_T$ ): 3990 m<sup>3</sup>/h  
 operating pressure: 6 bar(g)  
 inlet temperature: 40 °C  
 Faktor C<sub>1</sub>: 0,58

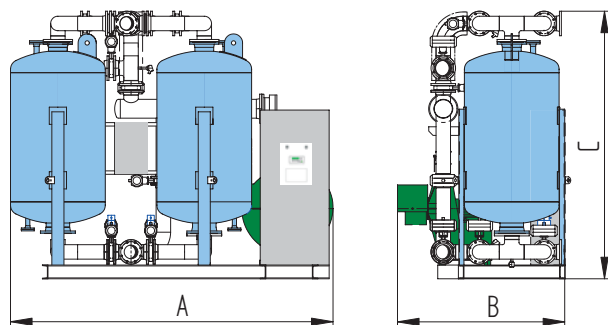
$$\dot{V}_{corr} = \frac{\dot{V}_T}{C_1} = \frac{3990 \text{ m}^3/\text{h}}{0,58} = 6879 \text{ m}^3/\text{h}$$

Selection: GDGS 7000

up to 2750



from 3500



For additional information please contact Gardner Denver or your local representative.

# Gardner Denver

gdcompressors.eu@gardnerdenver.com  
 www.gardnerdenverproducts.com

Specifications subject to change without notice.  
 Copyright 2011 Gardner Denver.